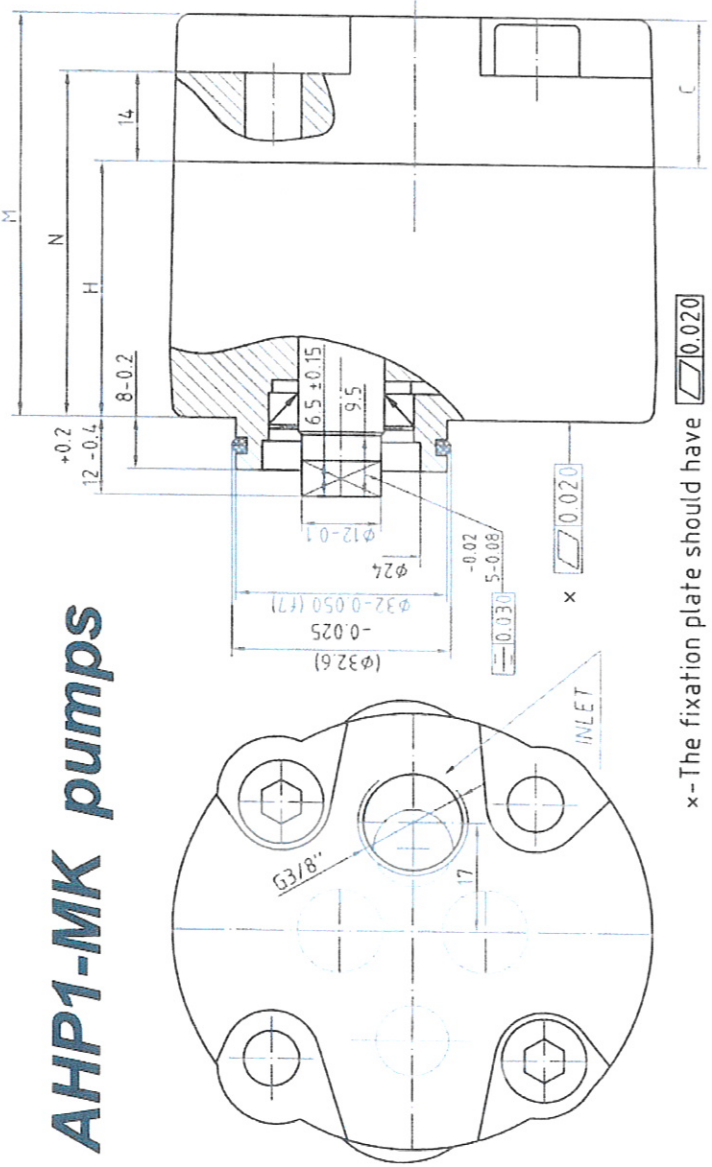
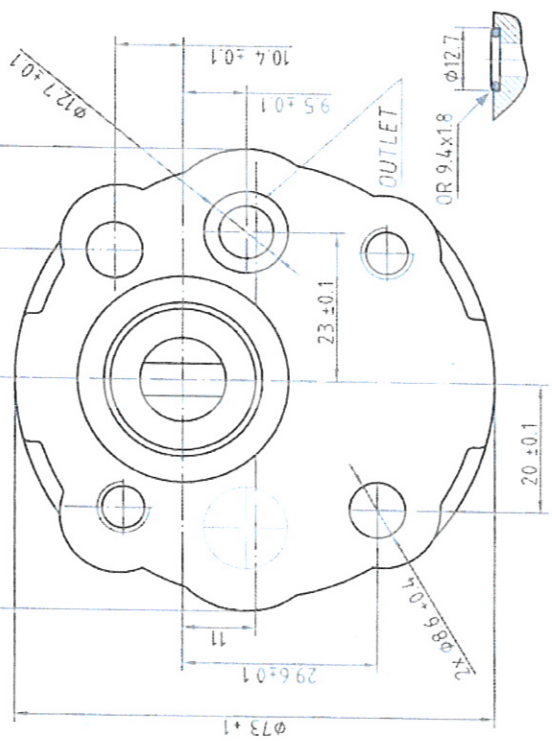


# AHP1-MK pumps



CLOCKWISE ROTATION (C)



x- The fixation plate should have  $\square 0.020$

ORDERING CODES	variant	HESPER codes	Vg (ccm /rev)	H (mm)	C (mm)	M (mm)	N (mm)	Pn (bar)	Pmax (bar)	$\eta_V$ (%)	$\eta_m$ (%)	$\eta_t$ (%)	Speed (rev/min)			Temperature (°C)	Viscosity (mm <sup>2</sup> /s)
													$\eta_{nom}$	$\eta_{min}$	$\eta_{max}$		
	AHP1-MK-0.85-C		0.85	24.2	42.7	38.2				82	68	56					
	AHP1-MK-1-C		1	24.7	43.2	38.7				85	70	60	1200				
	AHP1-MK-1.2-C		1.2	25.5	44	39.5				88	72	63					
	AHP1-MK-1.7-C		1.7	27.3	18.5	45.8	41.3			90	74	67	1000	6000	54	-25...+80	12.....800
	AHP1-MK-2-C		2	29.4	47.9	43.4				91	76	69					
	AHP1-MK-2.2-C		2.2	30.2	48.7	44.2		250	280	92	78	72	1500			recommended	recommended
	AHP1-MK-2.6-C		2.6	31.7	50.2	45.7				93	80	74				0.....+60	20.....100
	AHP1-MK-3.2-C		3.2	37.9	60.9	51.9				94	82	77					
	AHP1-MK-3.8-C		3.8	40.1	23	63.1	54.1			95	84	80					
	AHP1-MK-4.2-C		4.2	40.4	63.4	54.4				96	85	82					

